

POWER ELECTRONICS 전문기업

4.5kW INV
(에너지회생용 양방향인버터)



지우전자(주)

JIWOO ELECTRONICS CO.,LTD.

4.5kW INV (Bi-direction Inverter)

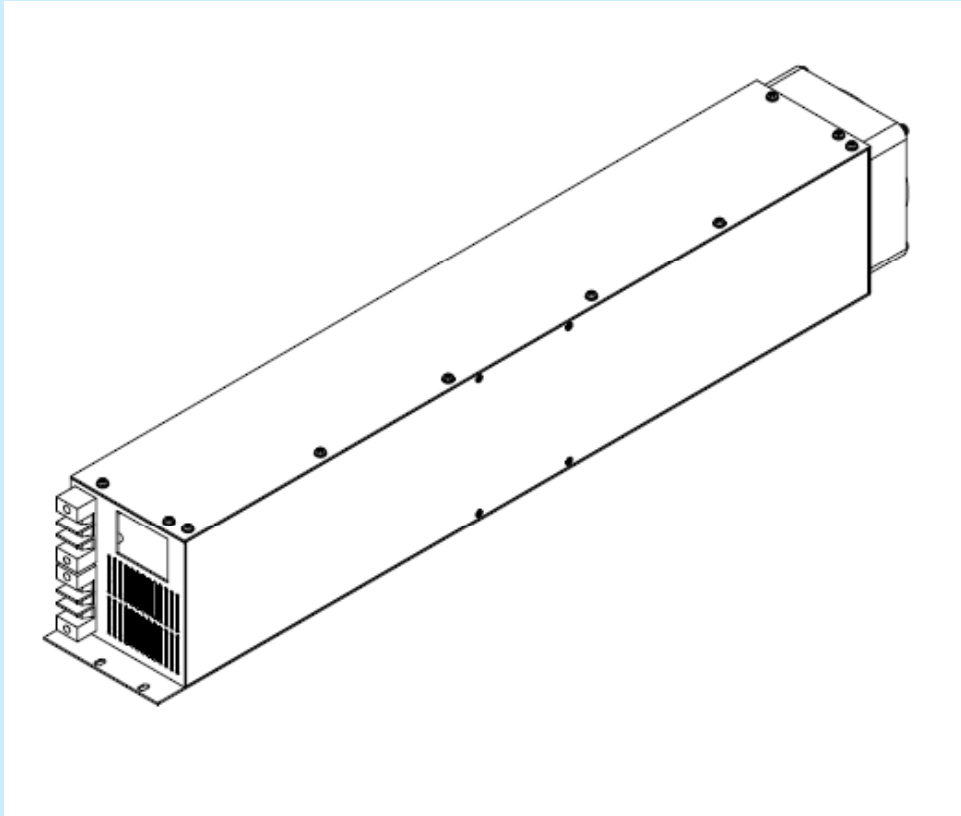


Features:

- 350VDC ~ 370VDC SINGLE OUTPUT
(Output Voltage Adjustable)
- * Low Output Noise
- * Protections: Short circuit / Overload /
Over temperature
- * Built-in active PFC function
- * Cooling by forced air
- * 100% full load burn-in test
- High reliability

MODEL		4.5kW INV
OUTPUT	DC OUTPUT VOLTAGE	350 V
	DC ± RATED CURRENT	± 13 A
	RATED POWER	4.5 kW
	RIPPLE & NOISE	≤ ± 1%
	LINE REGULATION	≤ ± 1%
	LOAD REGULATION	≤ ± 2%
INPUT	VOLTAGE RANGE	3P 220 VAC ± 10%
	FREQUENCY RANGE	47 ~ 63Hz
	POWER FACTOR	≥ 97% Full load, 220VAC
	EFFICIENCY	≥ 90% Full load, 220VAC
	THD	≤ 5% Full load, 220VAC
PROTECTION	OVER AC VOLTAGE	≥ 120%
	OVER CURRENT	≥ 120%
	OVER TEMPERATURE	≥ 70℃ detect on heatsink
	Lower AC Voltage	≤ 80%
ENVIRONMENT	WORKING TEMP.	0℃ ~ +50℃
	WORKING HUMIDITY	10 ~ 90% RH
	STORAGE TEMP., HUMIDITY	-20 ~ +50℃
SAFETY & EMC	WITHSTAND VOLTAGE	I/P-O/P:1.5KVAC, I/P-FG: 1.5KVAC, O/P-FG: 1.5KVAC
	ISOLATION RESISTANCE	I/P-O/P:100M OHMS / 500VDC
OTHERS	DIMENSION	120mm X 140mm X 820mm

Mechanical Specification (JWE-Q01) 3D



Mechanical Specification (JWE-Q01) 2D

